

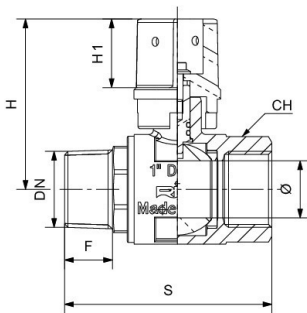


RIV 4385

Ball valve M/F heavy type
full bore
brass square cap

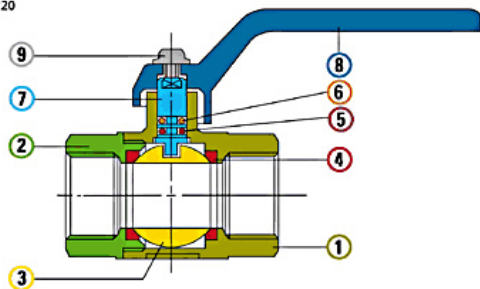
Tech drawings and tables

DN	Code	Ø	H	S	F	H1	PN	KG	P/box	
1/2"	024385000004	15	63	67	16	30	28	64	0,402	10
3/4"	024385000005	20	70	76	17,5	30	28	64	0,582	10
1"	024385000007	25	74	91	21	30	28	64	0,835	8
1"1/4	024385000008	32	86	101	22,5	30	28	50	1,226	6
1"1/2	024385000009	40	95	113	22,5	30	28	50	1,618	4
2"	024385000011	50	102	134	26,5	30	28	50	2,400	4



Technical data

Art. 4220



Materials

1	Body	Brass	CW617N	Nickel-plated
2	Body end	Brass	CW617N	Nickel-plated
3	Ball	Brass	CW617N	Chrome-plated
4	Seats	P.T.F.E.		
5	O-Ring	FKM		
6	O-Ring	NBR		
7	Stem	Brass	CW614N	
8	Lever	Aluminium		Green
9	Screw	Steel		Zinc-plated

Connections

F/F: ISO 7/1Rp (parallel) - M/F: male ISO 7/1R (tapered), female ISO 7/1Rp (parallel)

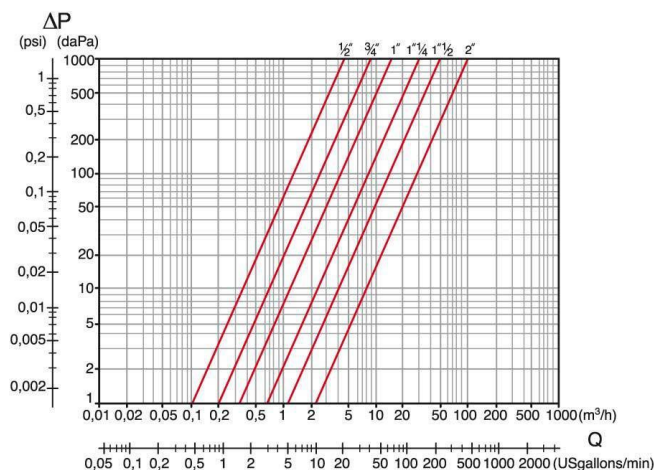
Limit

-20°C (without liquid) +150°C

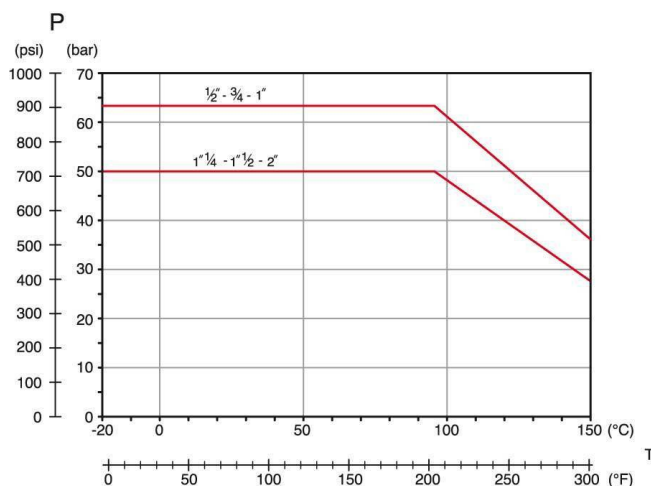
Notes

The max.working pressure (PN) means at a room temperature of about 23°C.

Pressure Loss Chart



Temperature/Pressure



Kv & Cv Coefficients

Size	Kv	Cv
1/2"	15,5	17,9
3/4"	31,0	36,0
1"	52,0	60,0
1"1/4	100,0	116,0
1"1/2	180,0	208,0
2"	350,0	405,0